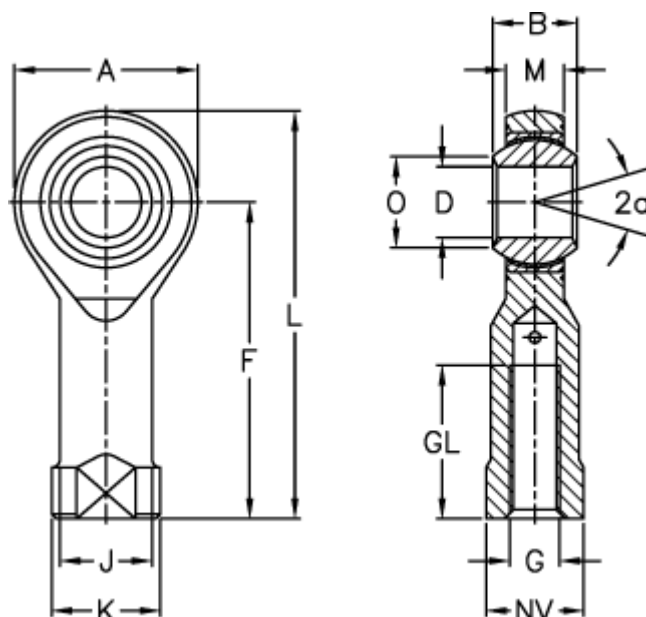


Article number: 03009018C

Description: Fluro Rod End 18

Measures



A	= 46	J	= 25	Weight (g) = 320
a (degrees)	= 15	K	= 31	
B	= 23	L	= 94	
D	= 18	M	= 16.5	
Dynamic load C (kN)	= 64	NV	= 27	
F	= 71	O	= 21.8	
G	= M18x1,5	Permissible rpm	= 210	
GL	= 32	Static load C0 (kN)	= 38.5	